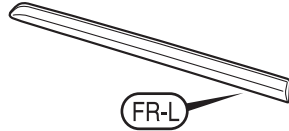
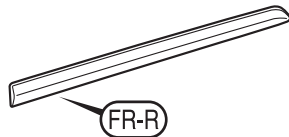


PARTS LIST

Left front body side molding (marked FR-L)



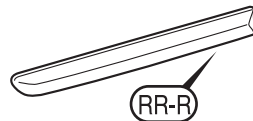
Right front body side molding (marked FR-R)



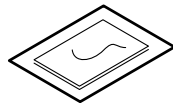
Left rear body side molding (marked RR-L)



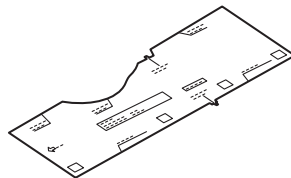
Right rear body side molding (marked RR-R)



4 Alcohol swabs



Template



TOOLS AND SUPPLIES REQUIRED

Masking tape

Felt-tip pen

Ruler

The following tool is available through the Honda Tool and Equipment Program. On the iN, click on: Service > Service Bay > Tool and Equipment Program, then enter the number under "Search". Or, call 888-424-6857.

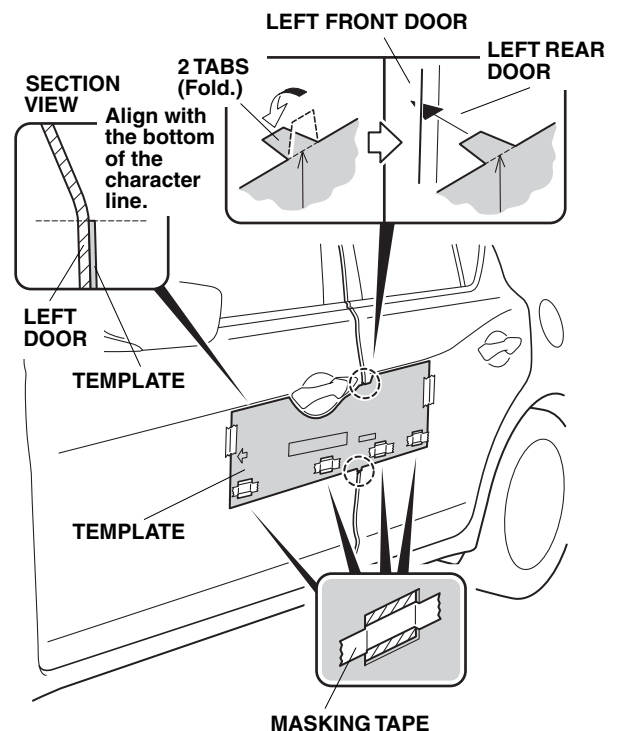
Rubber Roller (T/N MHLE54D)

INSTALLATION

NOTE:

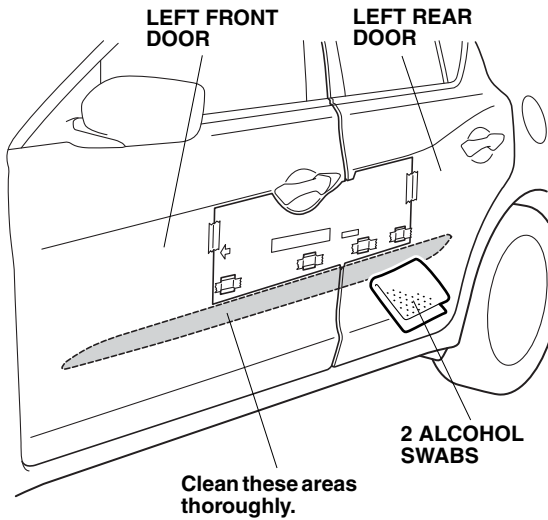
- If you are also installing the door edge film (sold separately), install it before you install the body side moldings.
- These instructions show the left body side moldings being installed. The same procedure applies to installing the right body side moldings.
- Identify each body side molding by referring to the identification marks.
- Be careful not to damage the paint finish.
- This body side moldings kit should be installed only if the ambient air temperature is 15°C (60°F) or above.
- To allow the adhesive to cure, do not wash the vehicle for 24 hours. Please advise the client.

1. Locate the top and bottom tabs in the center of the template, and fold them back. Insert the folded tabs between the left front door and left rear door.



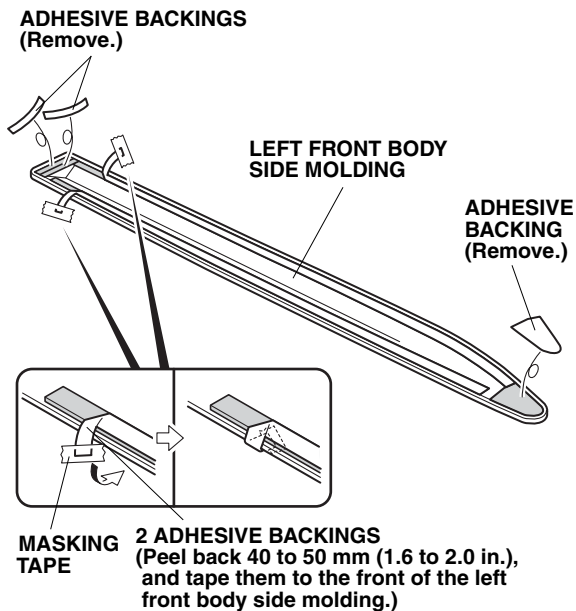
2. Align the template with the bottom of the character line, and attach the template to the left doors with masking tape as shown.

- Use two alcohol swabs to thoroughly clean the areas where the left body side moldings will attach.



Installing the Front Body Side Moldings

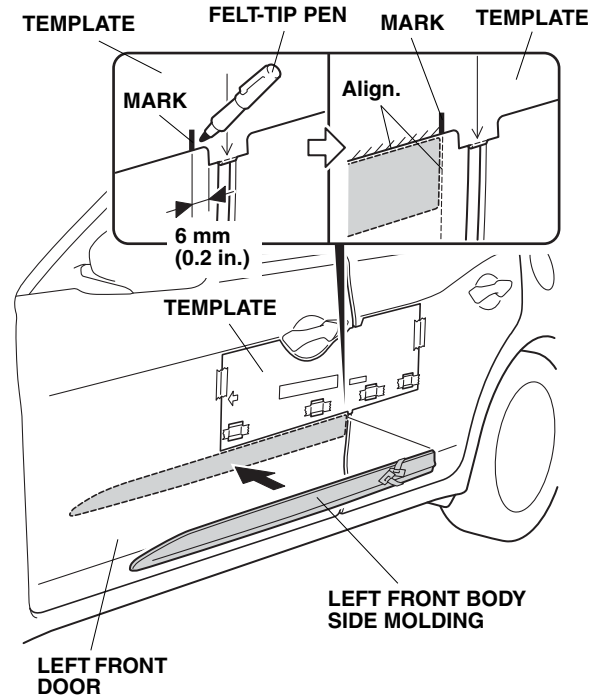
- Peel back approximately 40 to 50 mm (1.6 to 2.0 in.) of adhesive backing from each adhesive strip, and tape the ends to the front surface of the left front body side molding. Remove the small end pieces of the adhesive backing.



If the vehicle is equipped with accessory door edge film, continue with step 5. If not, go to step 7.

With Accessory Door Edge Film

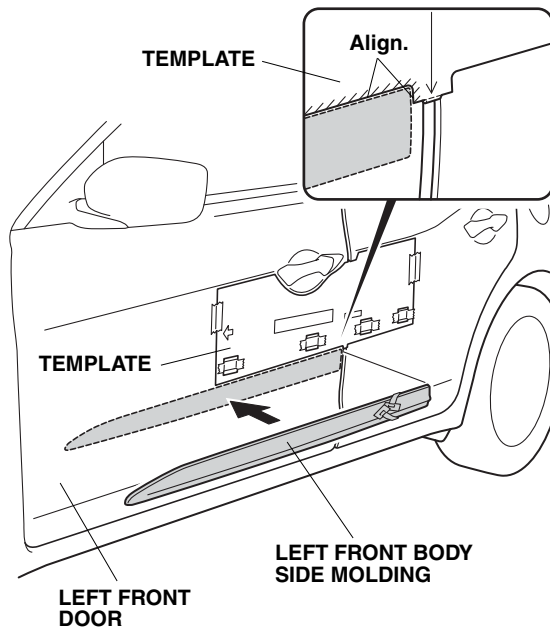
- Using a felt-tip pen, measure and mark the template as shown.



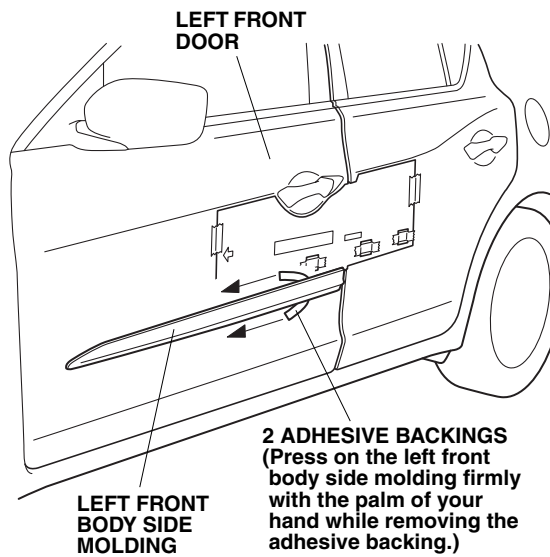
- Align the left front body side molding with the template and the mark on the template, then attach it to the left front door as shown. Go to step 8.

Without Accessory Door Edge Film

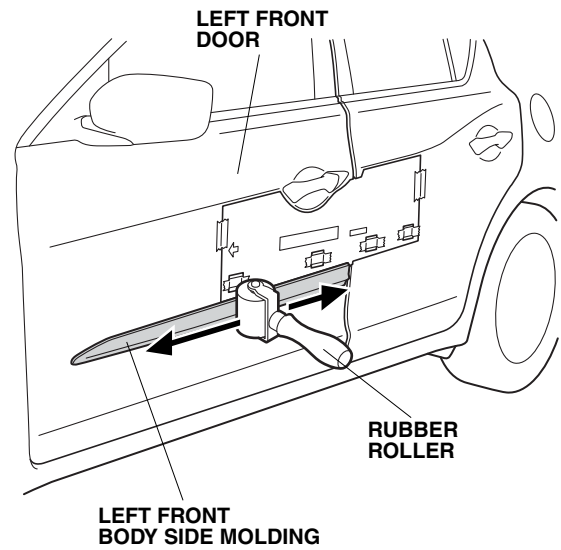
- Align the left front body side molding with the template, and attach it to the left front door as shown.



- Press on the left front body side molding firmly with the palm of your hand while removing about 50 to 100 mm (2.0 to 3.9 in.) of the adhesive backing at a time.

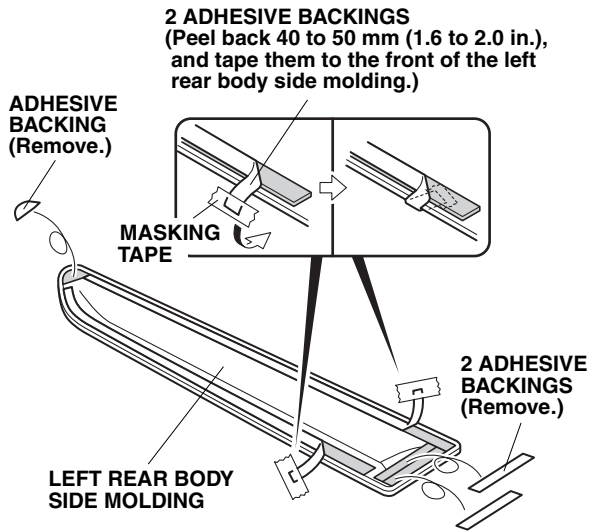


- Using a rubber roller, apply firm pressure, especially at the ends, to set the adhesive.

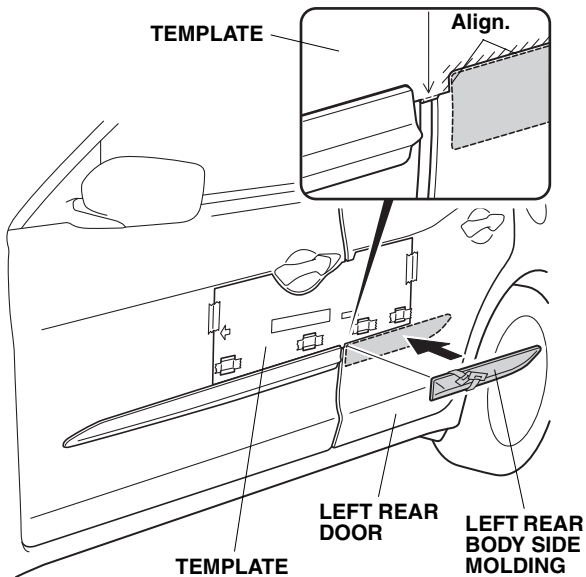


Installing the Rear Body Side Moldings

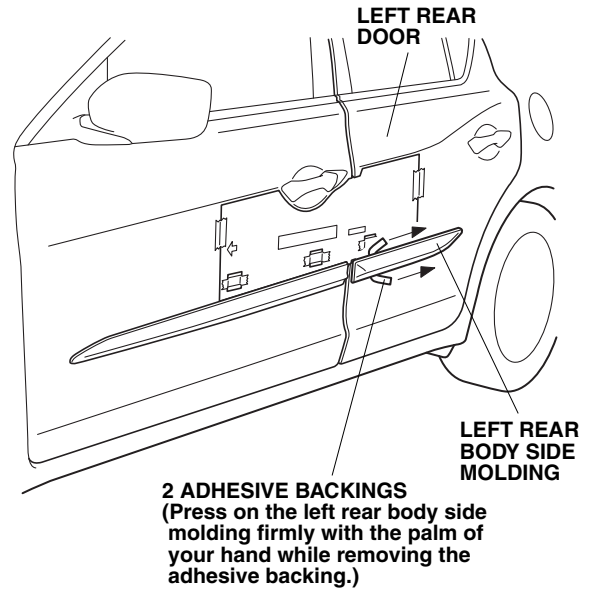
10. Peel back approximately 40 to 50 mm (1.6 to 2.0 in.) of adhesive backing from each adhesive strip, and tape the ends to the front surface of the left rear body side molding. Remove the small end pieces of the adhesive backing.



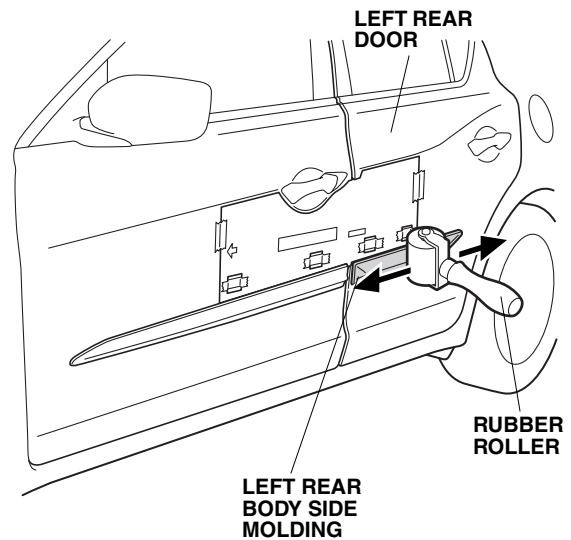
11. Align the left rear body side molding with the template, and attach it to the left rear door as shown.



12. Press on the left rear body side molding firmly with the palm of your hand while removing about 50 to 100 mm (2.0 to 3.9 in.) of the adhesive backing at a time.



13. Using a rubber roller, apply firm pressure, especially at the ends, to set the adhesive.



14. Remove the template.
15. Turn the template over, and repeat steps 1 through 14 to install the right body side moldings.